

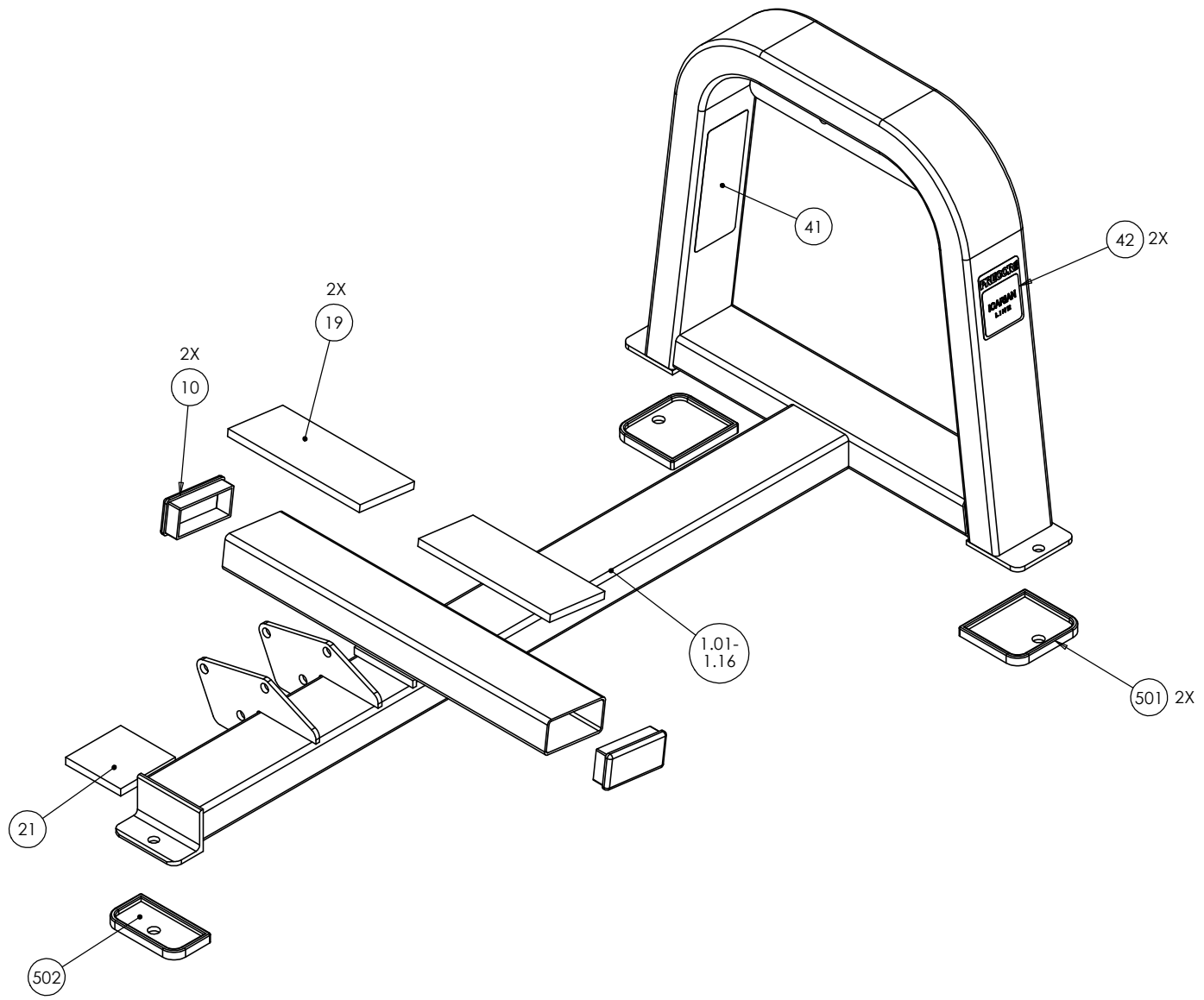
616	P/N : CW30961-101	SUBREV : G
DRAWN BY : MAH	DATE : 07.29.11	SHEET 1 OF 3

4

3

2

1



D

C

B

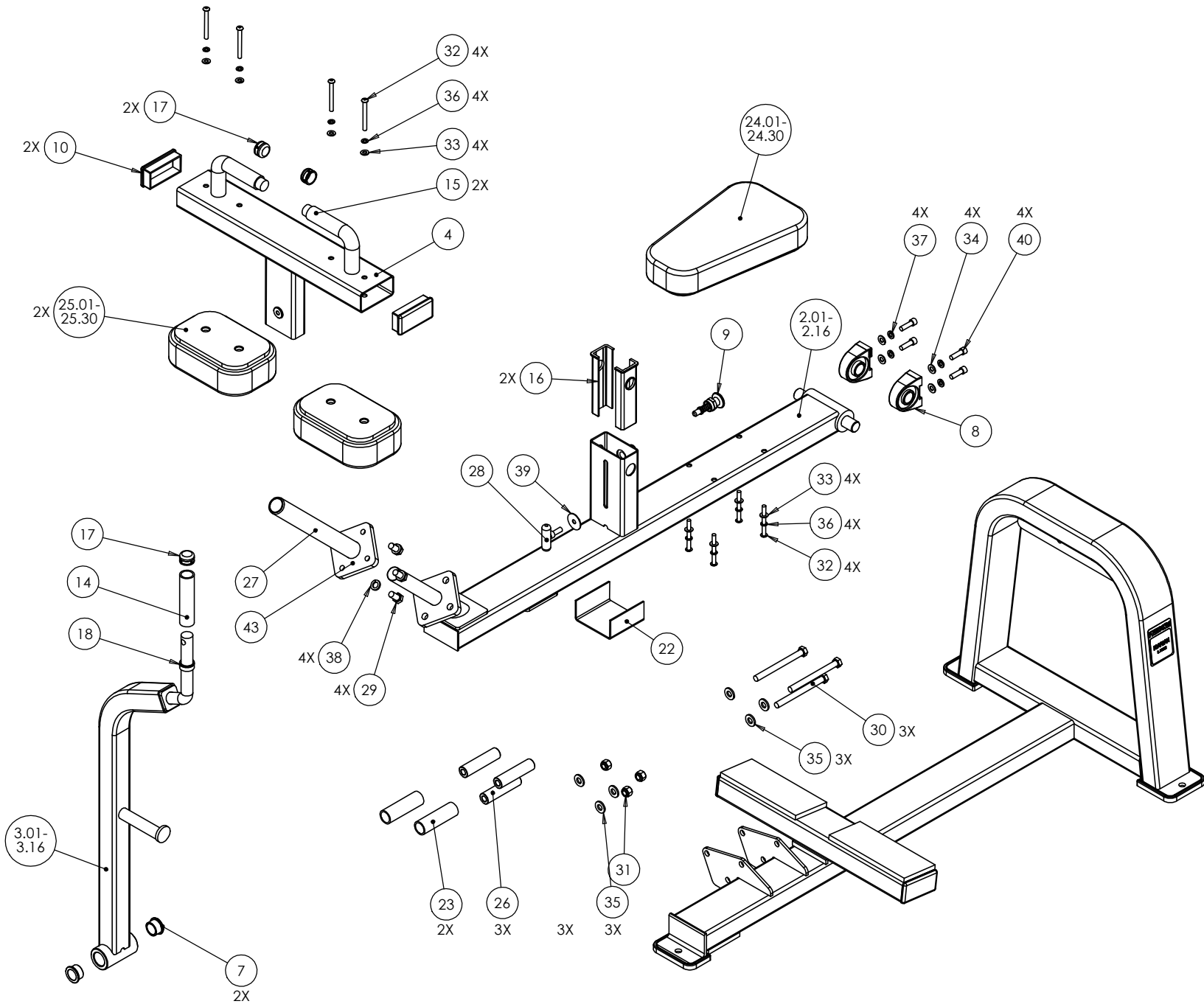
A

4

3

2

1



616 Seated Calf (version 1)

Part Number	Description	Bubble Number
CW616SA1-211	ASSY,FRAME,MAIN,616,SKY WHITE	1.01
CW616SA1-311	ASSY,FRAME,MAIN,616,STONE HG	1.11
CW616SA1-321	ASSY,FRAME,MAIN,616,TITANIUM HG	1.12
CW616SA2-211	ASSY,WEIGHT ARM,616,SKY WHITE	2.01
CW616SA2-311	ASSY,WEIGHT ARM,616,STONE HG	2.11
CW616SA2-321	ASSY,WEIGHT ARM,616,TITANIUM HG	2.12
CW616SA3-211	ASSY,PIVOT ARM,616,SKY WHITE	3.01
CW616SA3-311	ASSY,PIVOT ARM,616,STONE HG	3.11
CW616SA3-321	ASSY,PIVOT ARM,616,TITANIUM HG	3.12
CWAC1001-101	LABEL, "ICARIAN", 1 1/2 X 8 1/8	5
CWAC1002-101	LABEL, "ICARIAN", 3 X 16 3/8	6
CW10043-134	BUSHING, BRONZE, 1" ID X 1 1/4" OD	7
CW12406-101	PILLOW BLOCK, BEARING, 2 BOLT	8
CW30165-752	ASSY, POP PIN, 0.450 DIA NOSE, BLU	9
CW11311-102	ENDCAP, REC TUBE, 2X4, BLK PLASTIC	10
CW34822-101	LABEL, "ASSEMBLED IN THE USA"	11
CWAC1183-101	LABEL, WARNING, SERIOUS INJURY	13
CWGR4605-000	GRIP, RUBBER, 1.00" OD HANDLE, 5.00	14
CWGR4607-375	GRIP, RUBBER, 1.00" OD HANDLE, 7.38	15
CWAC1236-104	GUIDE INSERT, PLASTIC WITH HOLE, BL	16
CWAC218-901	HANDLE END CAP W/SET SCREWS, DIA 1"	17
CWAC219-902	HNDL RETAINER RNG, W/SS,1.040" I.D.	18
CW30014-215	CUT PIECE, CREPE, 3/8 THICK, 3.75 X	19
CW30014-213	CUT PIECE, CREPE, 3/8 THICK, 3.75 X	21
CW33522-101	ASSY, CUT PIECE, ABS CHANNEL,1/8 X	22
CWGR4604-000	GRIP, RUBBER, 1.00" OD HANDLE, 4.00	23
CWPD1207A-101	PAD,5X9X14.5,4HOLES,BLACK	24.01
CWPD1112B-101	PAD,6X9,2HOLES,W/BP,BLACK	25.01
CWPF3441-741	BAR, STEEL, RND, CLR ZN	26
CWSA1108-741	ASSY,WEIGHT,HOLDER,1.5 X 13.5,CLEAR	27
CWSA1121-731	ASSY,T-HANDLE,BLK ZNC	28
CWHCYN050-100	SCREW,HEX HEAD,BLK XYLAN,1/2-13 X 1	29
CWHADYN050-550	SCREW, HEX,BLK, 1/2-13 X 5 1/2 FUL	30
CWKDYN050-059	LOCKNUT, NYLON INSERT, FULL, UNC, 1	31
CWTAYN031-325	SCREW, BUTTON HEAD, BLK XYLAN, 5/16	32
CWWBKN031-007	WASHER, FLAT, TYPE A, SAE, 5/16 ID	33
CWWBKN038-007	WASHER, FLAT, TYPE A, SAE, 3/8 ID	34
CWWBKN050-010	WASHER, FLAT, TYPE A, SAE, 1/2 ID X	35
CWWALYN031-008	WASHER, SPLIT, 5/16 ID, BL	36
CWWALYN038009	WASHER, SPLIT, 3/8 ID, BLK XYLAN	37
CWWALYN050013	WASHER, SPLIT, 1/2 ID, BLK XYLAN	38
CWWABKN038007	WASHER, FENDER, BLK ZN, 3/8 ID X 1	39
CWCAYN038125	SCREW, SOCKET HEAD, BLK XYLAN, 3/8	40
CW31759101	LABEL, SMALL PRECOR USA ICARIAN LIN	42
CWAC1177101	FLOOR PROTECTOR, RUBBER, 4.563 X 4.	501
CWAC1179101	FLOOR PROTECTOR, RUBBER, 4.813 X 2.	502